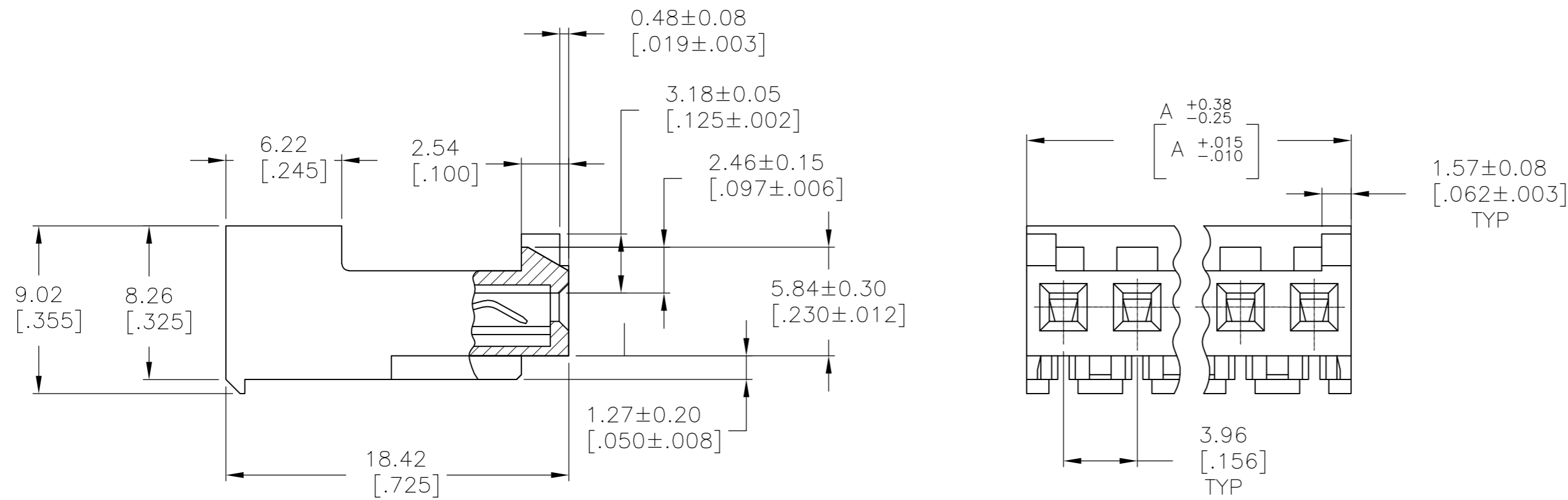
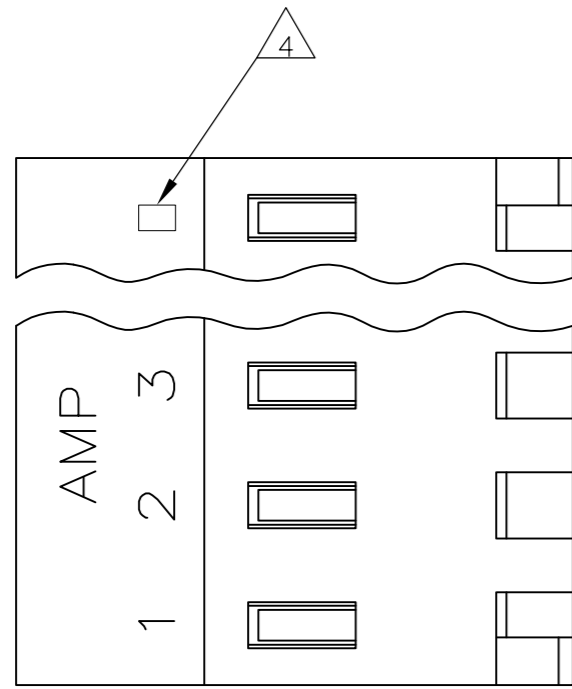


THIS DRAWING IS UNPUBLISHED. RELEASED FOR PUBLICATION
 © COPYRIGHT BY TYCO ELECTRONICS CORPORATION. ALL RIGHTS RESERVED.

LOC	DIST	REVISIONS			
P	LTR	DESCRIPTION	DATE	DWN	APVD
CM	00	H	ECO-07-012047	01JUN07	KW DB



1 MATERIAL: CONNECTOR - NYLON UL94-V2 (ORANGE)
 CONTACTS - 0.30 [.012] THICK COPPER ALLOY
 (BRIGHT TIN-LEAD 0.00203 [.000080] MIN. THICK
 FOR CONTACTS 643817-2 THRU 2-643817-4).
 (MATTE WHISKER MITIGATED TIN 0.00203 [.000080] MIN. THICK
 FOR CONTACTS 3-643817-2 THRU 5-643817-4).

- 2. CONTACTS ACCEPT 18 AWG WIRE WITH 2.41 [.095] MAX INSULATION DIAMETER.
- 3. CONTACTS MUST ACCEPT 1.14±0.03 [.045±.001] POST AND REMAIN LOCKED IN POSITION.

4 IDENTIFICATION NUMBER FOR LAST CIRCUIT MAY NOT APPEAR ON ALL ASSEMBLIES.

- 5. DIMENSIONS IN BRACKETS ARE IN INCHES.
- 6. HOUSING FEATURES ARE: CLOSED END WITH LOCKING RAMP AND POLARIZING TAB.

95.10[3.744]	24	5-643817-4
91.13[3.588]	23	5-643817-3
87.17[3.432]	22	5-643817-2
83.21[3.276]	21	5-643817-1
79.25[3.120]	20	5-643817-0
75.29[2.964]	19	4-643817-9
71.32[2.808]	18	4-643817-8
67.36[2.652]	17	4-643817-7
63.40[2.496]	16	4-643817-6
59.44[2.340]	15	4-643817-5
55.47[2.184]	14	4-643817-4
51.51[2.028]	13	4-643817-3
47.55[1.872]	12	4-643817-2
43.59[1.716]	11	4-643817-1
39.62[1.560]	10	4-643817-0
35.66[1.404]	9	3-643817-9
31.70[1.248]	8	3-643817-8
27.74[1.092]	7	3-643817-7
23.77[.936]	6	3-643817-6
19.81[.780]	5	3-643817-5
15.85[.624]	4	3-643817-4
11.89[.468]	3	3-643817-3
7.92[.312]	2	3-643817-2
95.10[3.744]	24	2-643817-4
91.13[3.588]	23	2-643817-3
87.17[3.432]	22	2-643817-2
83.21[3.276]	21	2-643817-1
79.25[3.120]	20	2-643817-0
75.29[2.964]	19	1-643817-9
71.32[2.808]	18	1-643817-8
67.36[2.652]	17	1-643817-7
63.40[2.496]	16	1-643817-6
59.44[2.340]	15	1-643817-5
55.47[2.184]	14	1-643817-4
51.51[2.028]	13	1-643817-3
47.55[1.872]	12	1-643817-2
43.59[1.716]	11	1-643817-1
39.62[1.560]	10	1-643817-0
35.66[1.404]	9	643817-9
31.70[1.248]	8	643817-8
27.74[1.092]	7	643817-7
23.77[.936]	6	643817-6
19.81[.780]	5	643817-5
15.85[.624]	4	643817-4
11.89[.468]	3	643817-3
7.92[.312]	2	643817-2
DIM A	NO. OF CIRCUITS	PART NO.

METRIC

THIS DRAWING IS A CONTROLLED DOCUMENT.		DWN S. CARPENTER 09JUL2003	Tyco Electronics Corporation Harrisburg, Pa 17105-3608	
DIMENSIONS: mm [INCHES]		CHK D. BOSSI 09JUL2003	NAME MTA 156 CONNECTOR ASSEMBLY, 18 AWG, STANDARD	
TOLERANCES UNLESS OTHERWISE SPECIFIED:		APVD D. BOSSI 09JUL2003	RESTRICTED TO	
0 PLC ± -		PRODUCT SPEC 108-1051	SIZE A2	
1 PLC ± -		APPLICATION SPEC 114-1020	CAGE CODE 00779	DRAWING NO C=643817
2 PLC ± -		WEIGHT -	SCALE 4:1	
3 PLC ± 0.13 [.005]		SHEET 1 OF 1		
4 PLC ± -		REV H		
ANGLES ± -		CUSTOMER DRAWING		